



**SPIERINGS
KRANEN**

Mark: **SPIERINGS** Type: **SK488-AT4**

Crane identification

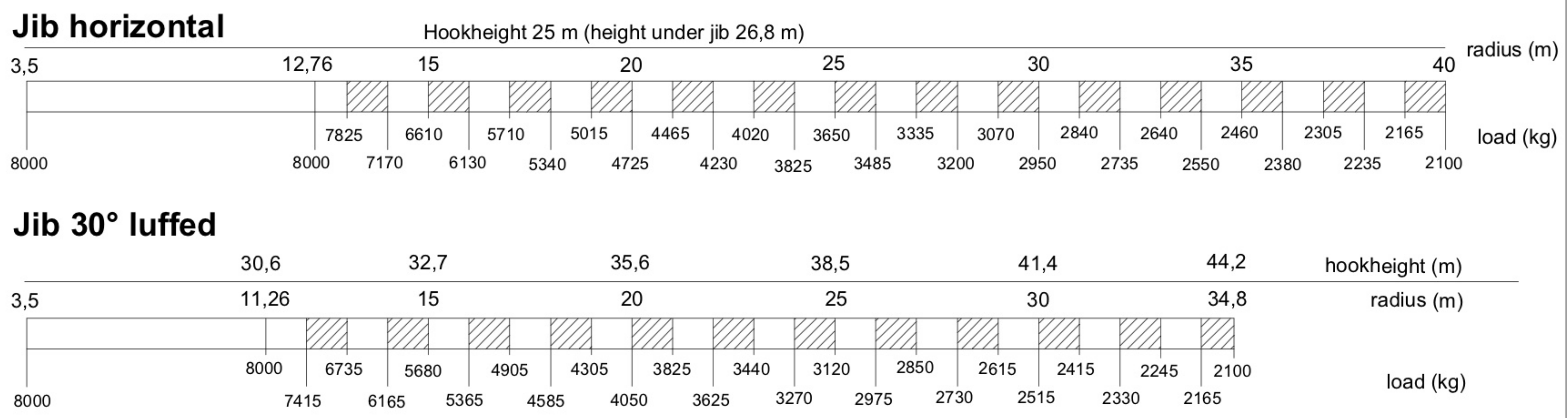
Serial number: <input type="text"/>	Crane group : 3 as per NEN 2018	Identifacation-number	Max. load	Max. radius with max. load	Max. capacity	Max. jib lenght
Year of construction: <input type="text"/>	Loadspectrum : 2 as per NEN 2018	93 tm	8,0 tonne	12,76 m	102 tm	40m
	Classification : A as per NEN 2018					
	Stability : as per NEN 2022					

Speeds

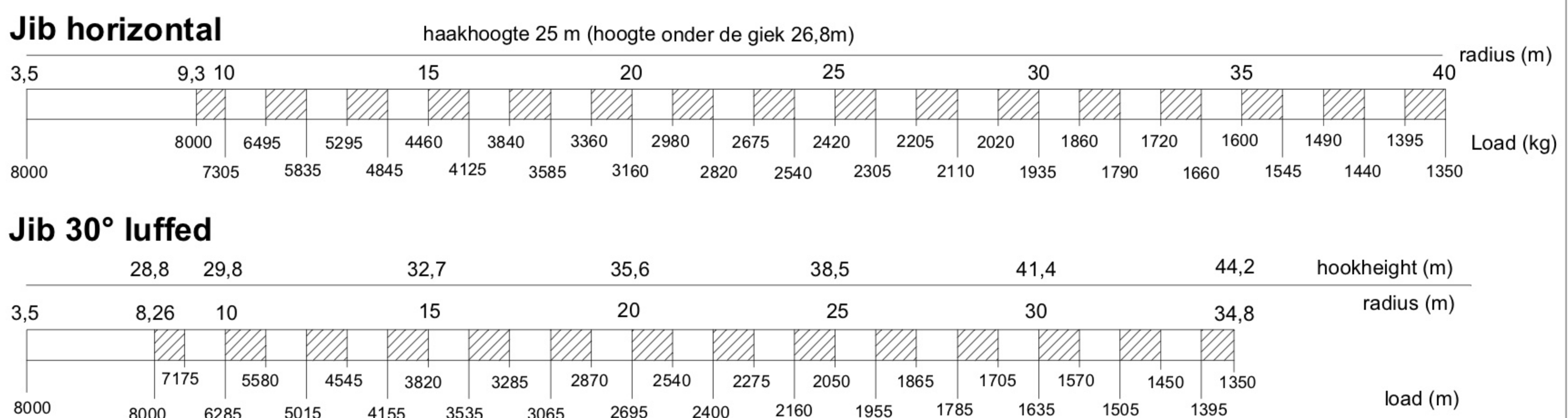
Jib horizontal / jib 30° luffed

	m/min	kg
	18	8000
	27	4000
	40	2000
	75	0
	0 - 70 m/min	
	0-0,9 rpm	

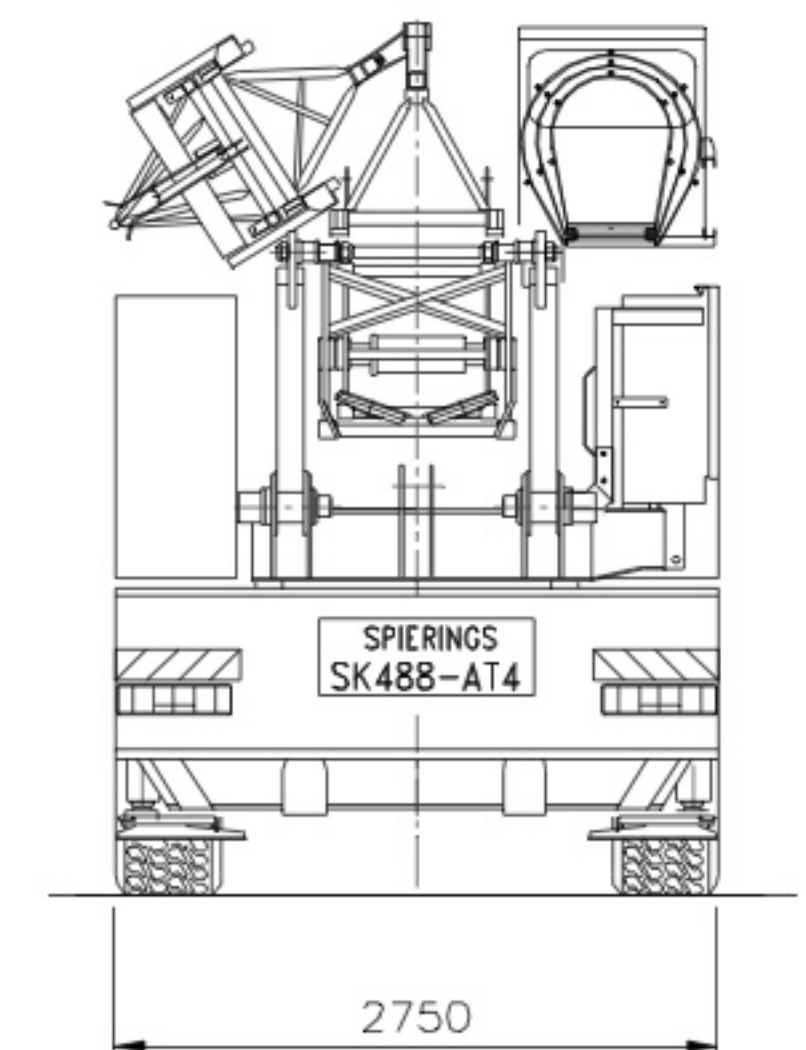
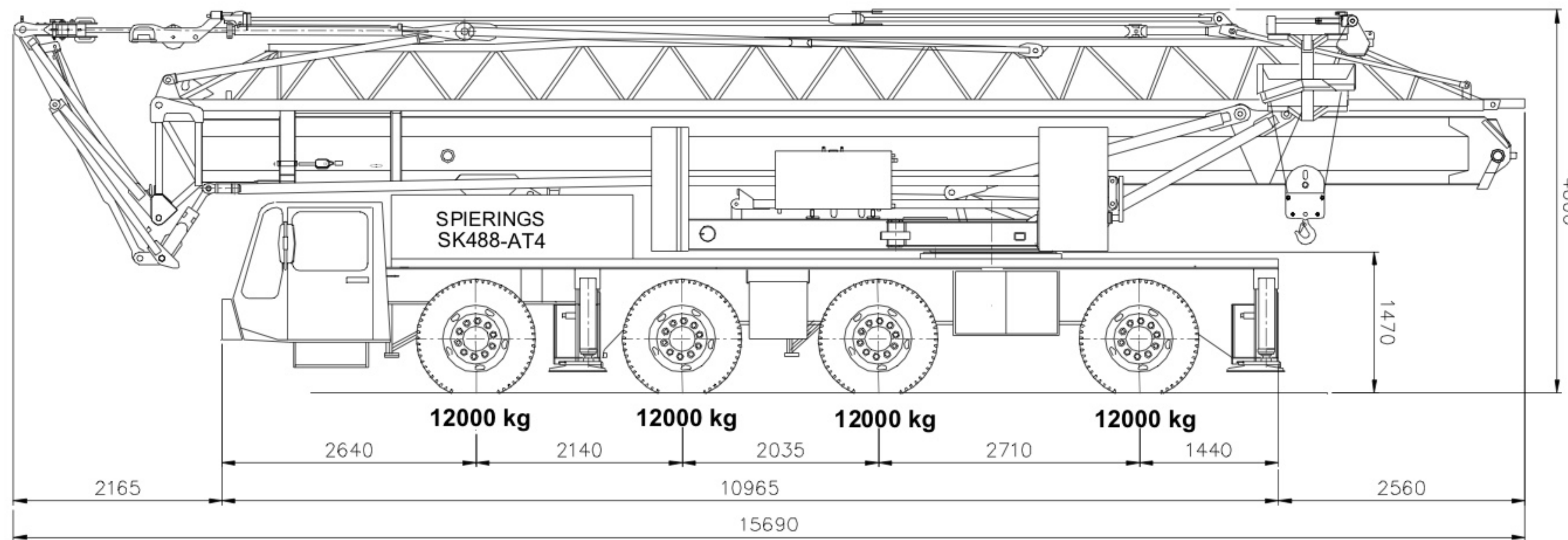
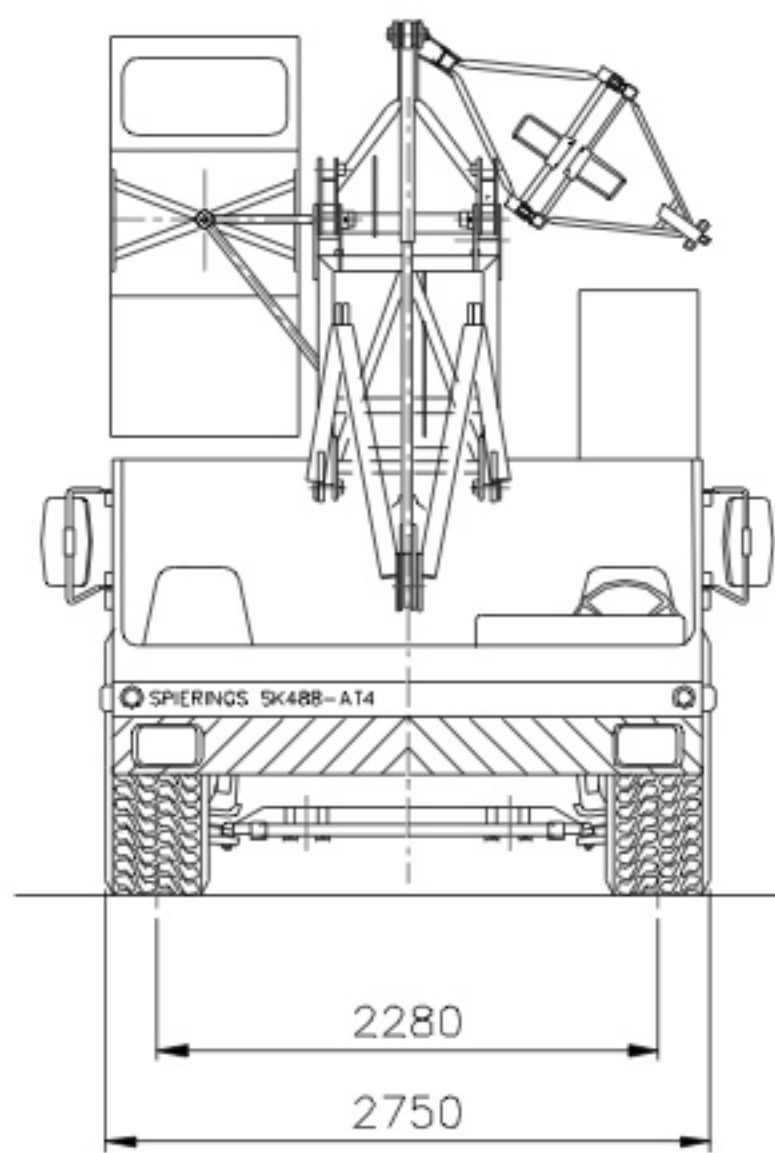
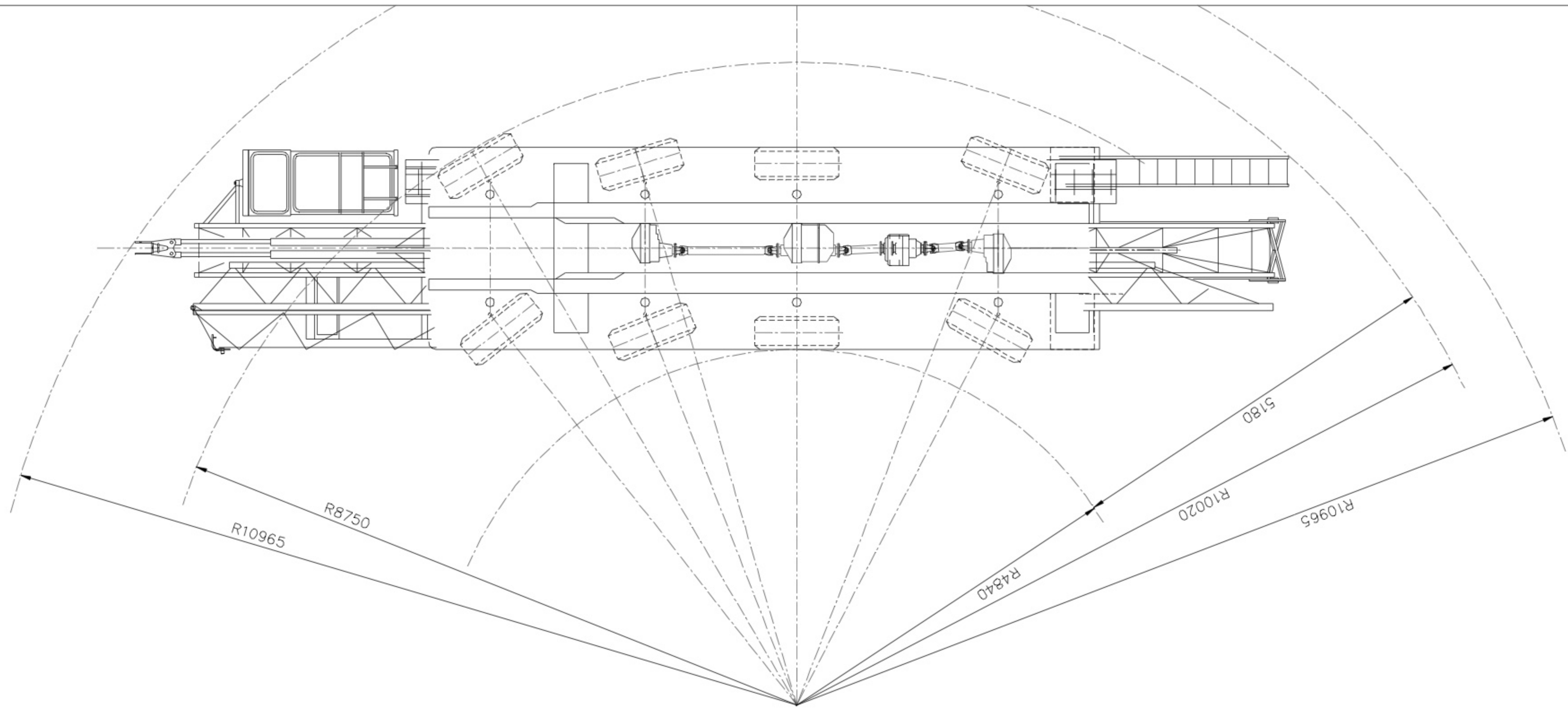
LIFTING CHART Outrigger spread 6,90 m x 6,70 m



LIFTING CHART Outrigger spread 6,90 m x 5,15 m



All motions with hydraulic proportional controls
 Luffing the jib 30° can be controlled from crane cab or via remote control
 Driving with erected tower and jib, only with the jib horizontal and positioned over the front carriage, platform locked to the carrier and the outriggers fully extended (max. inclination 2°)
 Rated lifting capacity is net capacity
 Crane equipped with full counterweight: 9300 kg
 360° continuous slewing, with outriggers out and down
 2 Outriggers positons: 6,90 x 6,70 m
 6,90 x 5,15 m
 Operation allowed up to a windforce of 7 on the Beaufortscale. (wind speed 17 m/sec.)
 Sail area of the load max. 1,0 m²/ tonne at a windforce of 7 on the Beaufortscale.
 Operating temperature range from -15° to 40° C.
 In all cases 2 parts of line
 Max. line pull force 4000 kg
 The crane should be folded in at a windforce >9 (21m/sec) or when not in use for a longer period



SPIERINGS HYDRAULIC FOLDING CRANE

SK 488 - AT4

Total weight: 4800 kg

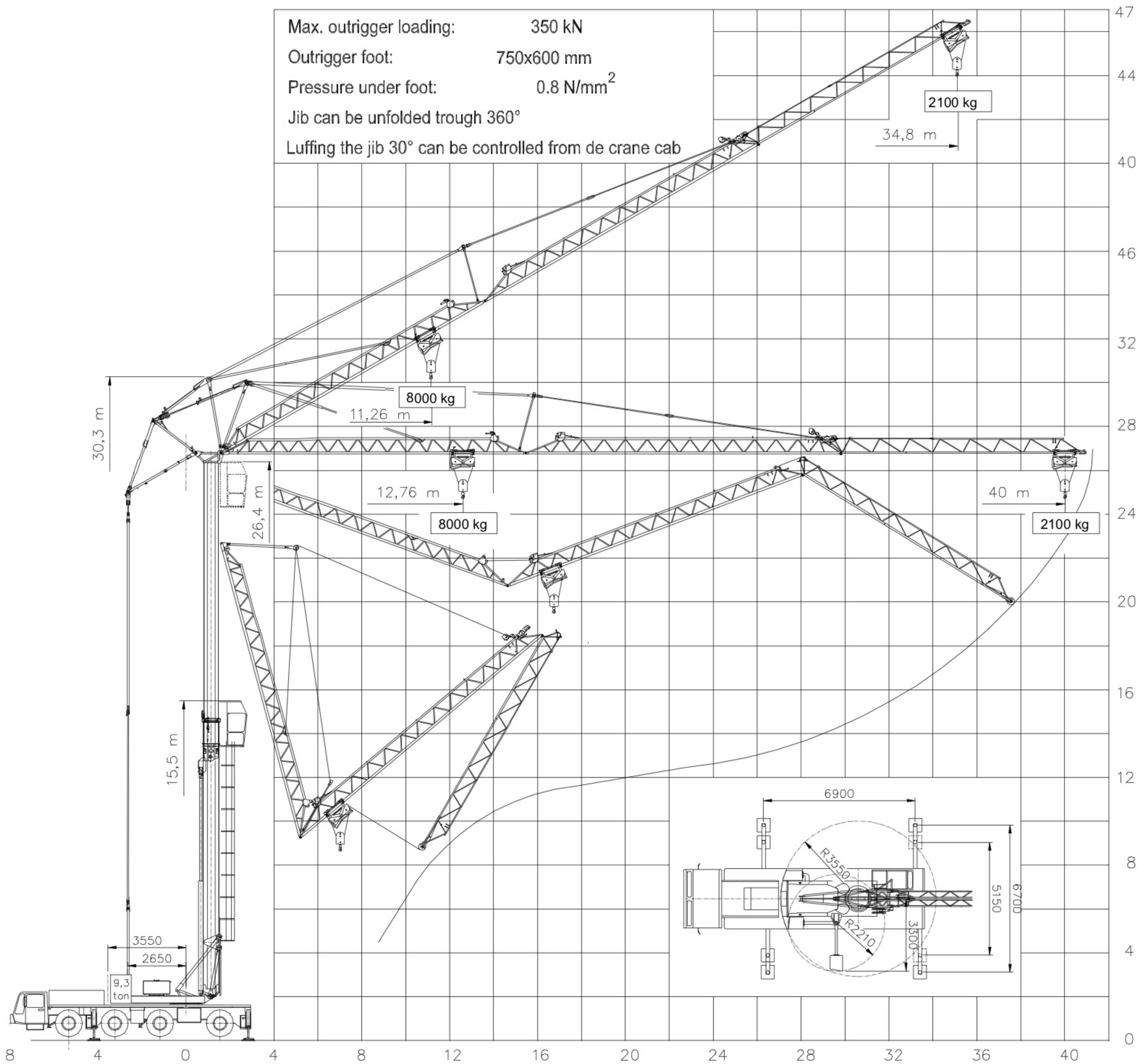
 **SPIERINGS
KRANEN** bv
Merwedestraat 15
5347 KZ Oss NL
Tel. 0412-626964
Fax 0412-645299

Max. outrigger loading: 350 kN
 Outrigger foot: 750x600 mm
 Pressure under foot: 0.8 N/mm²
 Jib can be unfolded trough 360°
 Luffing the jib 30° can be controlled from de crane cab

SPIERINGS

HYDRAULIC FOLDING CRANE

SK 488 - AT4



Merwedestraat 15
 5347 KZ Oss NL
 Tel. (31) 412 626964
 Fax (31) 412 645299