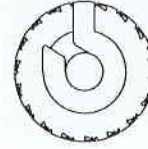


erk:

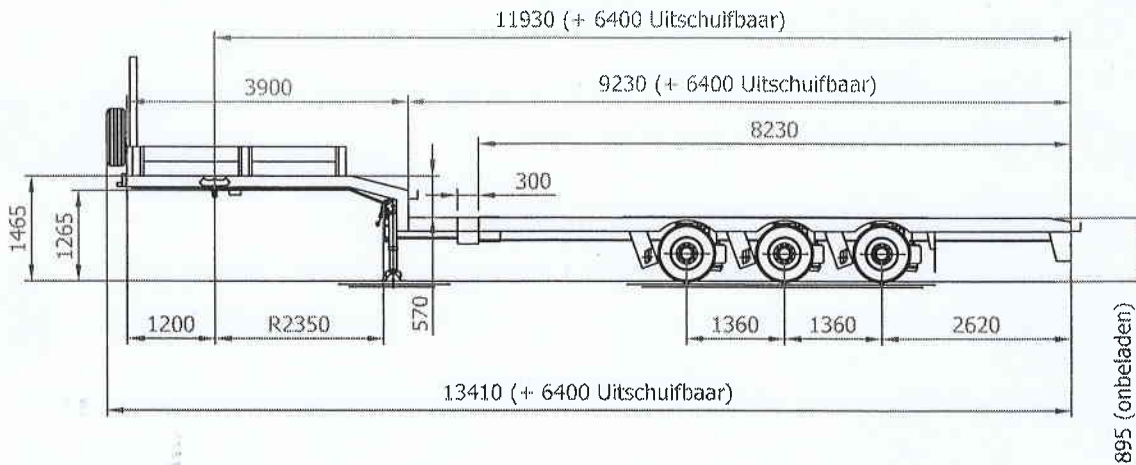
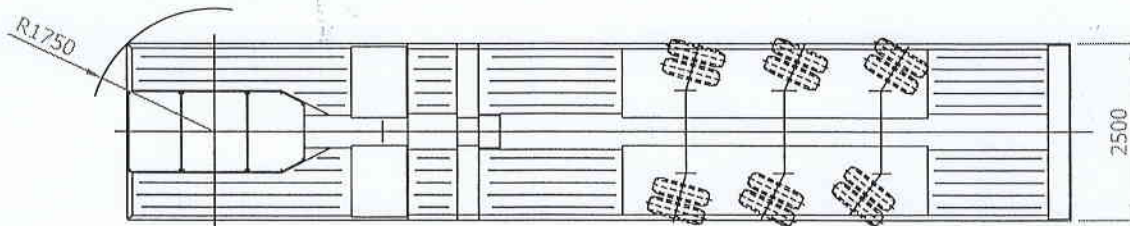
Nooteboom

Type:

MCO-48-03V/L Opl.semi.stuurb.uitsch.3-assi



KONINKLIJKE
SAAN



Voertuiginformatie

Leeggewicht	11.680	Kg
Laadvermogen	33.320	Kg
Max. massa	45.000	Kg
Max. koppelschotel belasting	18.000	Kg
Max. achterassen belasting	27.000	Kg
Min. lengte	13130	Mm
Max. lengte	19810	Mm
Breedte	2500	Mm
Laadvloerhoogte	895 - 1465	Mm



KONINKLIJKE
SAAN

0900 - 660 60 60
www.saan.nl
info@saan.nl

Versiedatum: 15-3-2010

Servicecode:

TSEMI3

This publication remains the property of the publisher and shall be treated as confidential, unless contractually specified otherwise. No parts of it may be reproduced, stored in a retrieval system or transmitted in any form or by any means, without the prior written permissions of the publisher. Typing errors reserved. No rights may be derived from these drawings and tables.

Pagina:

1 / 1

Copyright Koninklijke Saan B.V. 2009